

6003 Joker 5 Set 1 ring spanner set, 5 pieces

Tools for bicycles and e-bikes



EAN:	4013288214171	Size:	295x105x40 mm
Part number:	05020230001	Weight:	663 g
Article number:	6003 Joker 5 Set 1	Country of origin:	CZ
		Customs tariff number:	82041100

- Especially suitable for tight spaces
- The special mouth geometry expands the placement possibilities of the tool
- The low return angle in the mouth "takes" the screw every 15°
- Slim ring side angled by 15°
- Suitable for docking with the Wera 2go system

As the installation space becomes increasingly tight during screwdriving, it remains necessary that tools enable users to work successfully. Narrow spaces require additional placement points of the tool, to allow screws to be accessed and actuated. Can spanners be modified so that the placement possibilities of the tool increase? The combination of the 7.5° pivoted mouth and the double hexagon geometry doubles the placement points. A repeated 180° turn of the wrench around the longitudinal axis during screwdriving provides four placement possibilities, and bolts or screw heads can be "taken" every 15°. The Joker 6003 with its smart mouth geometry significantly expands the range of uses in confined spaces. The Joker 6003 will automatically find the respective placement point after every turn. The slim yet robust ring side is angled by 15° to the tool axis. The high-quality surface treatment achieves a high and long-lasting corrosion protection. With Take it easy tool finder: colour coding by size. The Joker pouches are suitable for attachment to walls, shelves, workshop trolleys and the Wera 2go system thanks to the hook and loop fastener system on the back.

Web link

https://products.wera.de/en/joker_6003_joker_ring_spanner_mouth_side_with_only_15_back-pivoting_angle_when_things_get_tight_6003_joker_5_set_1.html

Wera - 6003 Joker 5 Set 1
05020230001 - 4013288214171


Wera Werkzeuge GmbH
Korzter Straße 21-25
D-42349 Wuppertal
Tel: +49 (0)2 02 / 40 45-0
E-Mail: info@wera.de

6003 Joker 5 Set 1 ring spanner set, 5 pieces

Tools for bicycles and e-bikes



Set contents:

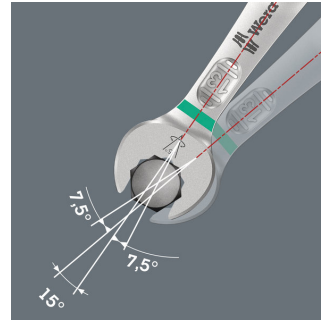
	6003 Joker	
	05020200001	1 x 8 x 115 mm
	05020201001	1 x 10 x 125 mm
	05020204001	1 x 13 x 160 mm
	05020208001	1 x 17 x 190 mm
	05020210001	1 x 19 x 230 mm

For very tight spaces



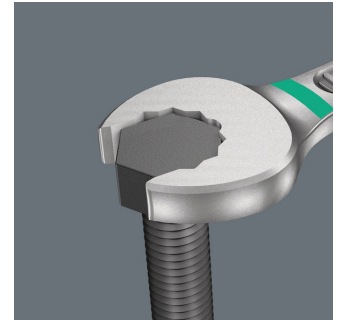
The Joker 6003 ring spanner with its special mouth geometry - a mouth side pivoted by 7.5° and the double hexagon geometry - doubles the placement possibilities when repeatedly turning the wrench 180° around the longitudinal axis. Bolts and screw heads can be "taken" every 15°. The Joker 6003 will automatically find the respective placement point after every turn.

For pivoting angles under 30°



Thanks to the mouth side pivoted by 7.5°, double hexagon geometry and an adjusted application method (placement – screwdriving – turning – replacement – screwdriving – turning, etc), even screwdriving challenges allowing a pivoting angle of less than 30° can be solved.

Double-hex geometry



The double hexagon geometry on the mouth and ring sides secures the positive connection with the screw head or bolt and reduces the risk of slipping.

Web link

https://products.wera.de/en/joker_6003_joker_ring_spanner_mouth_side_with_only_15_back-pivoting_angle_when_things_get_tight_6003_joker_5_set_1.html

Wera - 6003 Joker 5 Set 1
05020230001 - 4013288214171

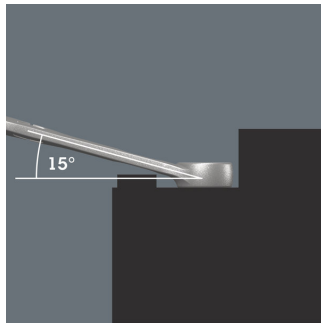
Wera Werkzeuge GmbH
Korzter Straße 21-25
D-42349 Wuppertal
Tel: +49 (0)2 02 / 40 45-0
E-Mail: info@wera.de

6003 Joker 5 Set 1 ring spanner set, 5 pieces

Tools for bicycles and e-bikes



Angled ring side



The ring side is angled at 15° to the tool axis to prevent injury.

"Take it easy" tool finder



"Take it easy" tool finder system - with profile and size colour-coding for quick and easy tool selection. Colour-coded system for hexagon drive screws (L-Keys, Zyklop bit sockets), external hex drive screws and nuts (Joker wrenches, Zyklop sockets and Zyklop bit sockets with holding function), and TORX® drive screws (L-Keys, Zyklop bit sockets).

Suitable for docking with the Wera 2go system



The Joker bags are suitable for attachment to walls, shelves, workshop trolleys and the Wera 2go system thanks to the hook and loop fastener system on the back.

Web link

https://products.wera.de/en/joker_6003_joker_ring_spanner_mouth_side_with_only_15_back-pivoting_angle_when_things_get_tight_6003_joker_5_set_1.html

Wera - 6003 Joker 5 Set 1
05020230001 - 4013288214171

Wera Werkzeuge GmbH
Korzter Straße 21-25
D-42349 Wuppertal
Tel: +49 (0)2 02 / 40 45-0
E-Mail: info@wera.de