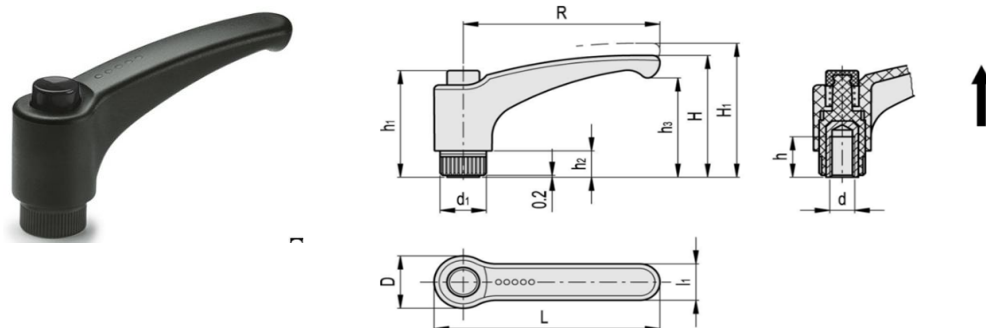


Alavanca de Aperto em Tecpolimero com Rosca Fêmea

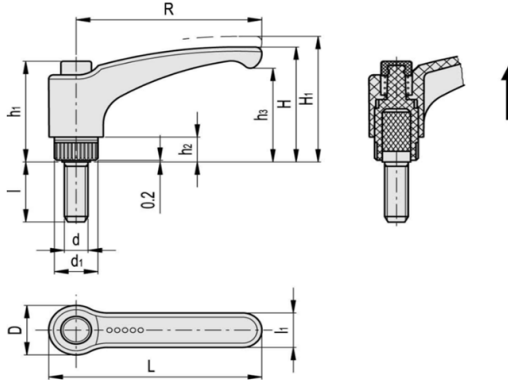


Código	Descrição	R	d _{6H}	L	D	H	H ₁	h	h ₁	h ₂	h ₃	d ₁	l ₁
EL233061-C1	ERX.30 B-M3-C1	30	M3	37.5	15.5	30	33.5	10	29.5	6	23	12	9
EL233066-C1	ERX.30 B-M4-C1	30	M4	37.5	15.5	30	33.5	10	29.5	6	23	12	9
EL233071-C1	ERX.30 B-M5-C1	30	M5	37.5	15.5	30	33.5	10	29.5	6	23	12	9
EL233076-C1	ERX.30 B-M6-C1	30	M6	37.5	15.5	30	33.5	10	29.5	6	23	12	9
EL233101-C1	ERX.44 B-M5-C1	44	M5	52	15.5	32.5	36	10	29.5	6	25	12	11
EL233106-C1	ERX.44 B-M6-C1	44	M6	52	15.5	32.5	36	10	29.5	6	25	12	11
EL233131-C1	ERX.63 B-M6-C1	63	M6	73.5	19	43	47	16	37.5	8	34.5	15	13.5
EL233136-C1	ERX.63 B-M8-C1	63	M8	73.5	19	43	47	13	37.5	8	34.5	15	13.5
EL233141-C1	ERX.63 B-M10-C1	63	M10	73.5	19	43	47	13	37.5	8	34.5	15	13.5
EL233151-C1	ERX.78 B-M8-C1	78	M8	90.5	24.5	54	58	20	47	12	44	19	16
EL233156-C1	ERX.78 B-M10-C1	78	M10	90.5	24.5	54	58	18	47	12	44	19	16
EL233161-C1	ERX.78 B-M12-C1	78	M12	90.5	24.5	54	58	17	47	12	44	19	16
EL233171-C1	ERX.95 B-M10-C1	95	M10	109	26.5	64.5	69	20	54.5	13	53	21.5	18
EL233176-C1	ERX.95 B-M12-C1	95	M12	109	26.5	64.5	69	20	54.5	13	53	21.5	18
EL233181-C1	ERX.95 B-M14-C1	95	M14	109	26.5	64.5	69	20	54.5	13	53	21.5	18
EL233211-C1	ERX.108 B-M12-C1	108	M12	123	30	65.5	70	20	54.5	11	52.5	25	20
EL233216-C1	ERX.108 B-M14-C1	108	M14	123	30	65.5	70	20	54.5	11	52.5	25	20
EL233221-C1	ERX.108 B-M16-C1	108	M16	123	30	65.5	70	22	54.5	11	52.5	25	20

As alavancas de aperto ERX. podem ser fornecidas com o botão em outras cores.



Alavanca de Aperto em Tecnopolimero com Rosca Macho



Código	Descrição	R	d ₆₀	L	D	H	H ₁	h ₁	h ₂	h ₃	d ₁	L	l ₁
EL234011-C1	ERX.30 p-M5x20-C1	30	M5	37.5	15.5	30	33.5	29.5	6	23	12	20	9
EL234036-C1	ERX.30 p-M6x30-C1	30	M6	37.5	15.5	30	33.5	29.5	6	23	12	30	9
EL234111-C1	ERX.44 p-M5x20-C1	44	M5	52	15.5	32.5	36	29.5	6	25	12	20	11
EL234126-C1	ERX.44 p-M6x20-C1	44	M6	52	15.5	32.5	36	29.5	6	25	12	20	11
EL234146-C1	ERX.44 p-M6x40-C1	44	M6	52	15.5	32.5	36	29.5	6	25	12	40	11
EL234163-C1	ERX.44 p-M8x25-C1	44	M8	52	15.5	32.5	36	29.5	6	25	12	25	11
EL234316-C1	ERX.63 p-M6x25-C1	63	M6	73.5	19	43	47	37.5	8	34.5	15	25	13.5
EL234326-C1	ERX.63 p-M6x40-C1	63	M6	73.5	19	43	47	37.5	8	34.5	15	40	13.5
EL234336-C1	ERX.63 p-M8x20-C1	63	M8	73.5	19	43	47	37.5	8	34.5	15	20	13.5
EL234371-C1	ERX.63 p-M8x60-C1	63	M8	73.5	19	43	47	37.5	8	34.5	15	60	13.5
EL234498-C1	ERX.78 p-M8x20-C1	78	M8	90.5	24.5	54	58	47	12	44	19	20	16
EL234513-C1	ERX.78 p-M8x60-C1	78	M8	90.5	24.5	54	58	47	12	44	19	60	16
EL234516-C1	ERX.78 p-M10x20-C1	78	M10	90.5	24.5	54	58	47	12	44	19	20	16
EL234541-C1	ERX.78 p-M10x50-C1	78	M10	90.5	24.5	54	58	47	12	44	19	50	16
EL234561-C1	ERX.78 p-M12x20-C1	78	M12	90.5	24.5	54	58	47	12	44	19	20	16
EL234586-C1	ERX.78 p-M12x50-C1	78	M12	90.5	24.5	54	58	47	12	44	19	50	16
EL234726-C1	ERX.95 p-M12x30-C1	95	M12	109	26.5	64.5	69	54.5	13	53	21.5	30	18
EL234751-C1	ERX.95 p-M12x70-C1	95	M12	109	26.5	64.5	69	54.5	13	53	21.5	70	18
EL234901-C1	ERX.95 p-M16x30-C1	95	M16	109	26.5	64.5	69	54.5	13	53	21.5	30	18
EL234921-C1	ERX.95 p-M16x70-C1	95	M16	109	26.5	64.5	69	54.5	13	53	21.5	70	18
EL235016-C1	ERX.108 p-M14x30-C1	108	M14	123	30	65.5	70	54.5	11	52.5	25	30	20
EL235026-C1	ERX.108 p-M14x70-C1	108	M14	123	30	65.5	70	54.5	11	52.5	25	70	20
EL235036-C1	ERX.108 p-M16x30-C1	108	M16	123	30	65.5	70	54.5	11	52.5	25	30	20
EL235046-C1	ERX.108 p-M16x70-C1	108	M16	123	30	65.5	70	54.5	11	52.5	25	70	20

As alavancas de aperto ERX. podem ser fornecidas com o botão em outras cores.

